

# FASANO

## FIFTH AVENUE

### Important information

#### Before using for the first time

⚠ The coffee machine must be correctly installed and connected before it is used for the first time. For more information please see the Operating and installation instructions.

- Before filling the coffee machine with water and coffee beans, clean the coffee machine and the milk container thoroughly.
- Please see "First steps to use" in the Operating and installation instructions.

#### Water hardness

Set the water hardness level on the coffee machine to the water hardness level for the local area to ensure that the machine functions correctly and is not damaged.

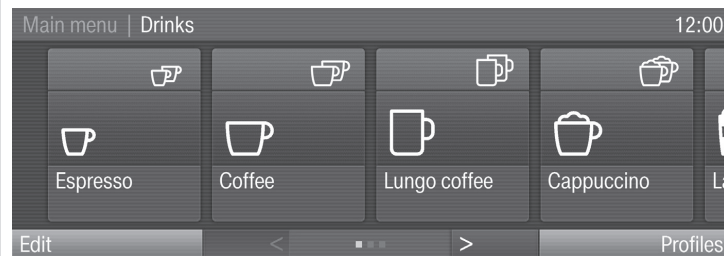
See the Operating and installation instructions for more information.

### Controls and display

#### Sensor controls

On/Off sensor ①	For turning the coffee machine on and off
"Back"	For returning to the previous menu, cancelling unwanted actions

#### Touch display



#### Selecting or accessing a menu

- Touch the field you want once with your finger.

#### Scrolling

- Swipe the screen, i.e. place your finger on the Touch display and swipe it in the direction you want.
- Or: Touch the < or > arrows to scroll from left to right.

#### Exiting a menu

- Touch "Back".
- Entries made before this which have not been confirmed with "OK" will not be saved.

#### Entering numbers

You can enter numbers by swiping and touching the roller or via the numerical keypad.

Roller:

- Swipe the roller up or down to select the number you want

Numerical keypad:

- Touch  in the bottom right of the input field.

The numerical keypad will appear:

- Touch the numbers you want.

When you enter a valid number, the "OK" field will light up green.

- Use the arrow to delete the last entered number.
- Touch "OK".

#### Entering letters

Names are entered using a keyboard. It is best to select short names.

- Touch the letters or characters you want.
- Touch "Save".

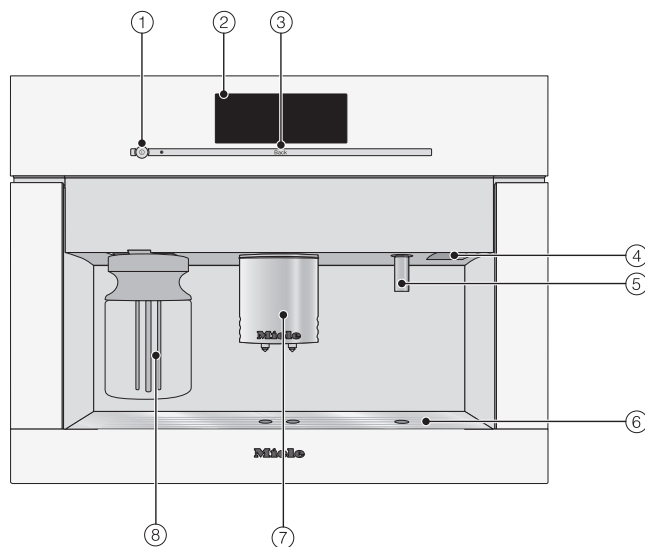
# FASANO

## FIFTH AVENUE

### Guide to the machine

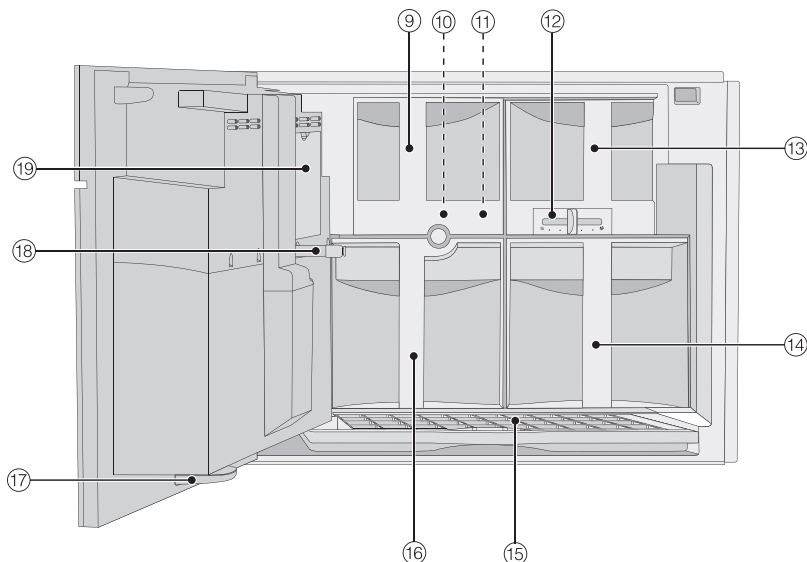
#### Exterior view

- ① On/Off sensor
- ② Touch display
- ③ "Back" sensor
- ④ Handle
- ⑤ Hot water dispenser
- ⑥ Drip tray
- ⑦ Main dispenser with lighting and automatic height adjustment
- ⑧ Milk container and lid



#### Interior view

- ⑨ Ground coffee chute cover
- ⑩ Brew unit
- ⑪ Ground coffee chute
- ⑫ Grind control to select fineness of ground coffee
- ⑬ Coffee bean container
- ⑭ Water container
- ⑮ Drip tray with grid
- ⑯ Waste unit
- ⑰ Drip catcher
- ⑱ Main dispenser connector
- ⑲ Service cover



### Preparing for use

#### Filling the water container

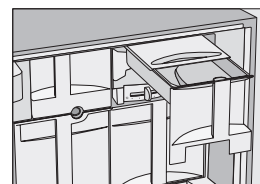
Change the water every day to prevent a build-up of bacteria.



- Fill the water container with fresh, cold tap water up to the "Max." marker.

#### Filling the coffee bean container

Warning. Only put roasted espresso/coffee beans in the container.



- Open the front of the machine and remove the coffee bean container.
- Fill the container with roasted coffee beans.

# FASANO

## FIFTH AVENUE

## Making drinks

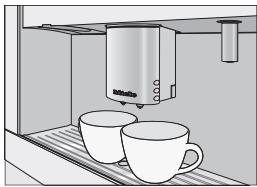
### Fill the container with roasted coffee beans.

- Place a cup under the main dispenser.
- Touch the field for the drink you want:

- ☐ Espresso
- ☐ Coffee
- ☐ Lungo coffee

The coffee or espresso will be dispensed from the main dispenser into the cup.

### Making two portions



To fill two cups at the same time:

- Place a cup under each of the main dispensers.
- Touch the two cup symbol for the drink you want.

Two portions of the desired drink will be dispensed from the main dispenser.

### Canceling preparation

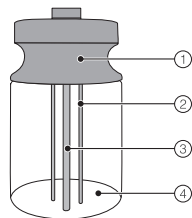
To cancel preparation:

- Touch "Cancel" or "Stop".

### Drinks with milk

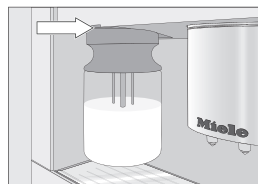
#### Notes on the milk container

The milk will not keep cool in the milk container. It should therefore be kept in the fridge if you are not going to be using milk for a long period. Cold milk (below 55°F/13 °C) gives the best results for milk froth.



- ① Lid
- ② Sensor rod
- ③ Milk intake tube
- ④ Glass container

- Fill the container with milk up to a maximum of 3/4" (2 cm) below the rim.



- Push the milk container fully back into the coffee machine.

#### Making drinks with milk

- Place a suitable container underneath the main dispenser.

- Touch the drink you want:

- ☐ Cappuccino
- ☐ Latte macchiato
- ☐ Caffè Latte
- ☐ Hot milk
- ☐ Milk froth

The selected drink will now be made.

### Hot water

- Place a suitable container underneath the hot water dispenser.
- Select "Hot water" ☐. Hot water is dispensed into the container under the dispenser.

To cancel preparation:

- Touch "Cancel" or "Stop".